

Thermoelectric Cooler Performance Specifications

HP-161070-40X44 W150mm

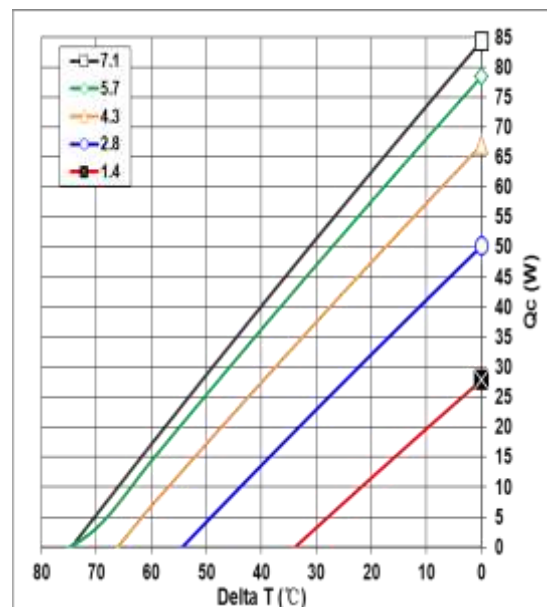
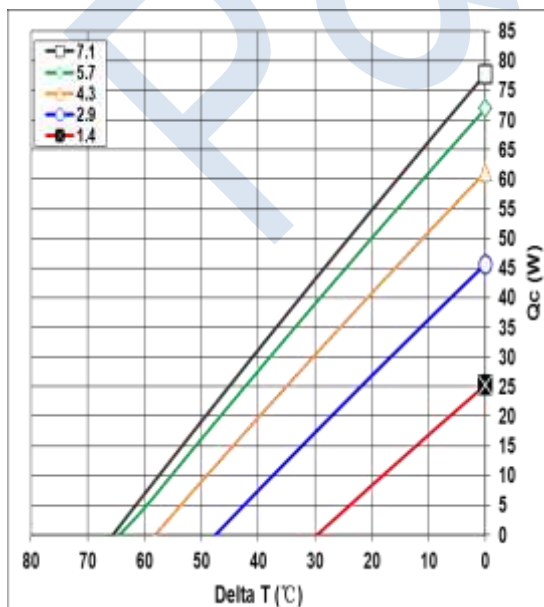
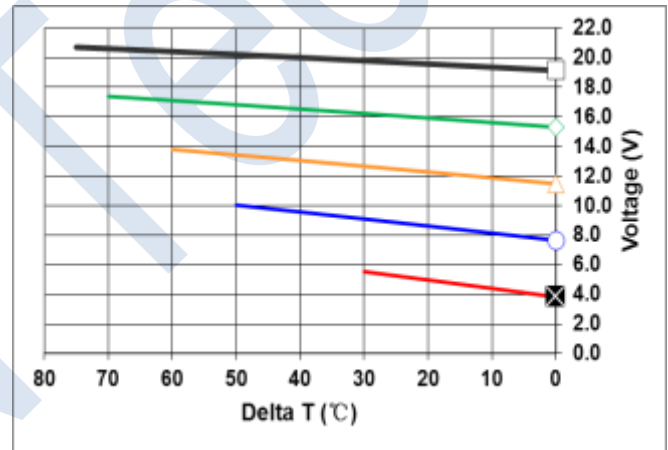
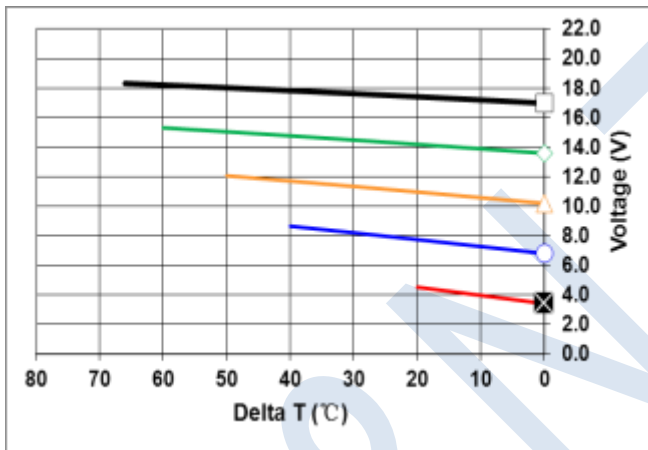
Hot Side Temperature(°C)	27 °C	50 °C
Qmax (Watts)	77.8	84.3
Delta Tmax(°C)	70	75
I _{max} (Amps)	7	7
V _{max} (Volts)	18.3	20.8
Module Resistance(Ohms)	2.38	2.68



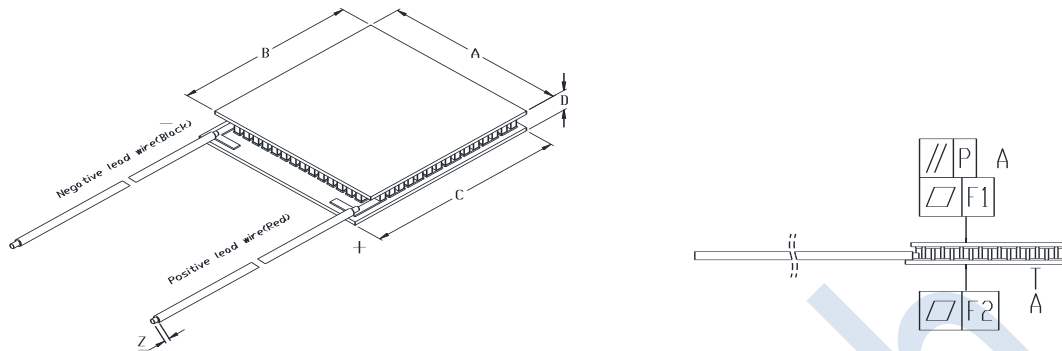
**Tolerances for thermal and electrical parameters ± 10%.

Performance Curves Th=27°C

Performance Curves Th=50°C



Mechanical Drawing:



Thickness(mm)D	3.3±0.03	Wires	PVC 20AWG
A(mm)	40±0.1	Z(mm)	5±2
C(mm)	44±0.1	Lead wire length(mm)	150±5
B(mm)	40±0.1	Sealing	-
Flatness/Parallelism(mm)	0.05/0.05	Solder (°C)	138

Operation Tips:

- Max Operating Temperature:**90°C**.
- Do not exceed I_{max} or V_{max} when operating module.
- Please consult P&N Technology for moisture and corrosion protection options.

Address: 5/F Xinfai Building 28th Xiangming Road, Torch (xiang'an) Hi-tech Zone, Xiamen Fujian China.

Sales Tel: + 86 - 592 - 352 1988

Fax: +86-592-352 1989

Postcode: 361 101

Web: www.pengnantech.com